

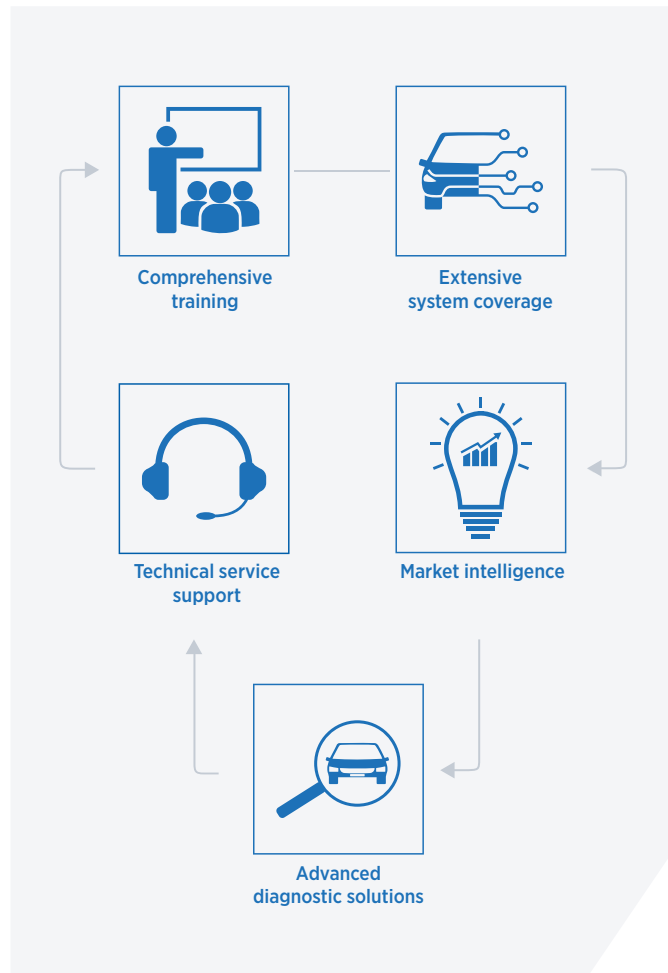
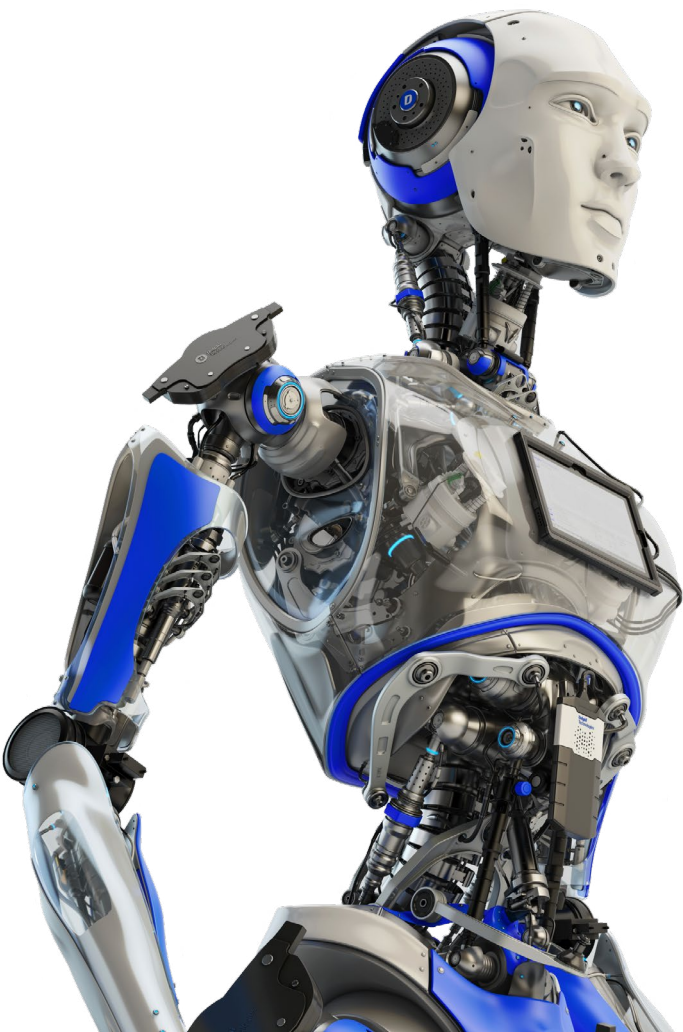


Delphi Technologies

Diagnostics
The Hartridge CRI-Pro

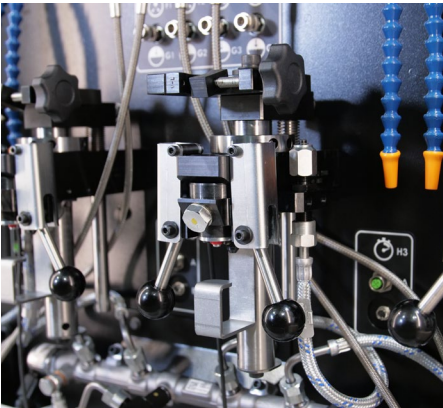
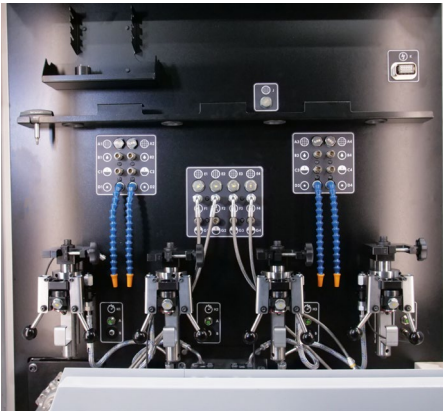
Off vehicle diagnostic test bench

Providing the full service solution



Expert diagnostic solution For the latest generation of common rail injectors

The Hartridge CRi-Pro is an advanced and powerful 4-line common rail diesel test bench. This flexible and versatile machine is designed to accommodate the modern demands of diesel workshops around the world.



Features

- ✓ Tests up to 2700 bar
- ✓ Powerful 11kw motor
- ✓ Easy user experience designed throughout
 - » Closed-Loop technology
 - » Advanced, diagnostic steps
 - » Vast All-Makes testing & coding application coverage
- ◆ Enhanced Euro 6 response time measurement
- ◆ Advanced temperature control
- ◆ Reduced cycle time on C2i, C3i, C4i injectors*

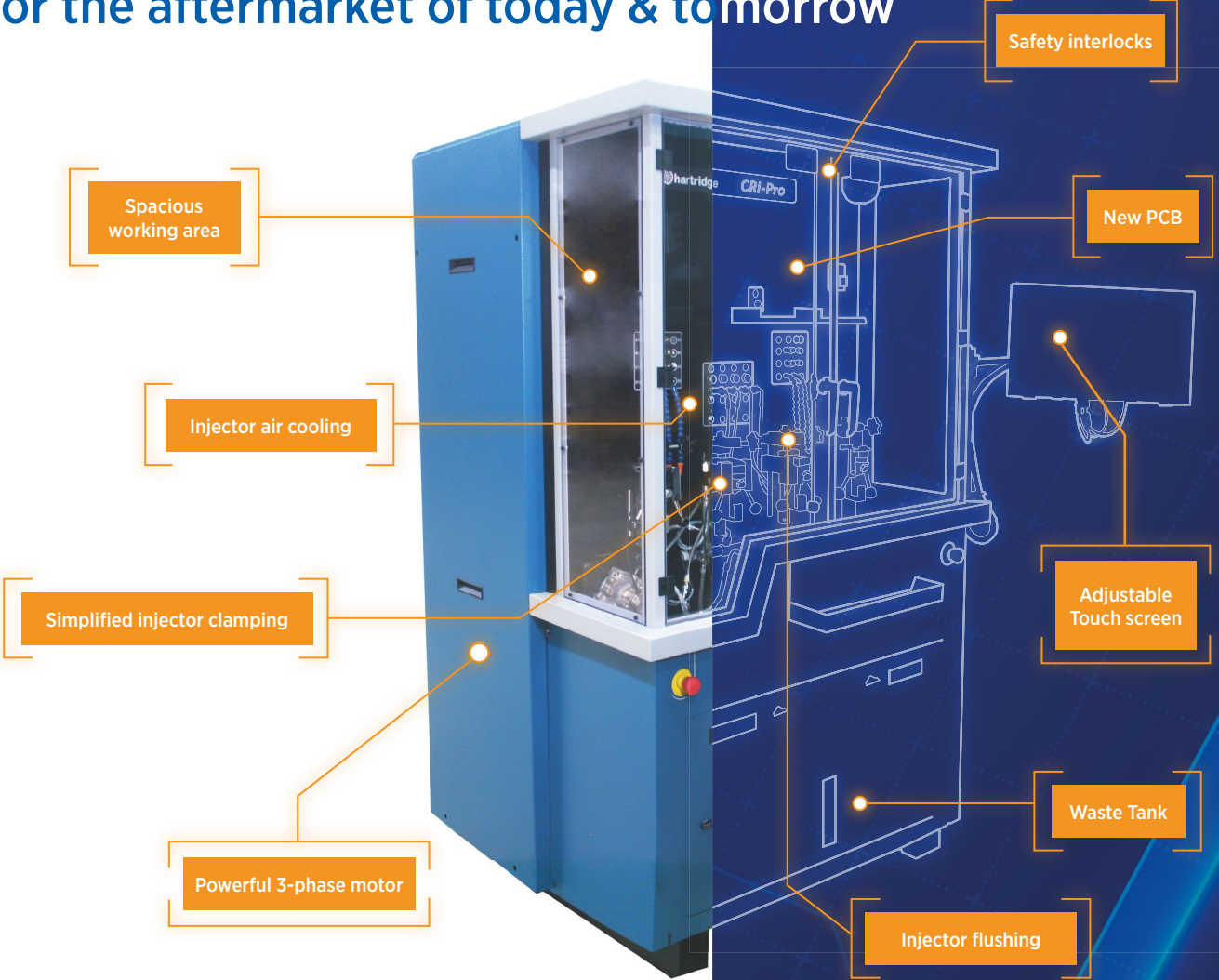
Key:

✓ Standard machine feature » All-Makes feature ◆ Authorised feature

*Typically 20-30% reduction in cycle time versus the CRi-PC on C2i, C3i, and C4i injectors

CRI-Pro specification overview

For the aftermarket of today & tomorrow



Easily interchange between Two powerful software platforms

The CRi-Pro is authorised by Delphi Technologies to support the official repair programs for F2R, F2P, F2E and C2i, C3i, and C4i injector technologies via Delphi IRIS. This software is managed by an annual licence for ongoing authorisation.

Delphi Technologies *IRIS*



The CRi-Pro also provides full All-Makes capability with the familiar Hartridge *magma^{Touch}* software giving access over a thousand of Bosch, Denso, and VDO coded test plans. *magma^{Touch}* is free of charge and managed with flexible pay-as-you-go licence credits purchasable on Hartridge.shop 24hrs a day.



magma^{Touch}

Off vehicle diagnostic test bench

The Delphi Technologies difference

Advanced diagnostic solution

Closed loop technology, expert diagnostic features such as 1PPR, MDP, NOP, and coding test plans.



Proud OE heritage

Over 90 years heritage, OE engineering standards throughout, Delphi Technologies authorisation.



Leading multi-sector coverage

The CRi-Pro gives multi-sector coverage from one bench including passenger car, LCV, HDV, and off-highway.



Ready for the aftermarket

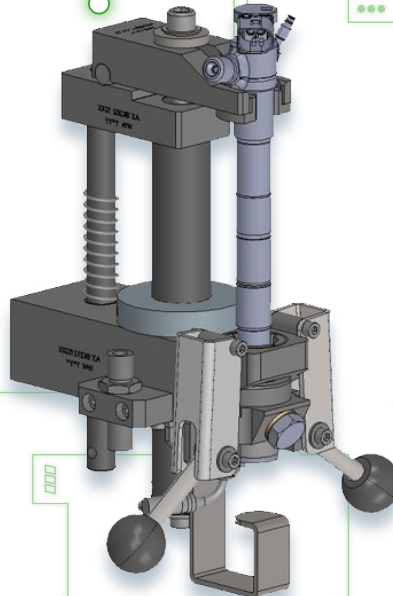
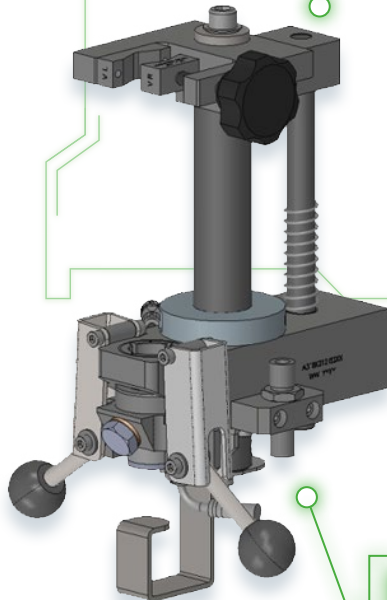
Simplified application tooling



Whether in All-Makes or Authorised modes the fixturing has been designed specifically for flexibility

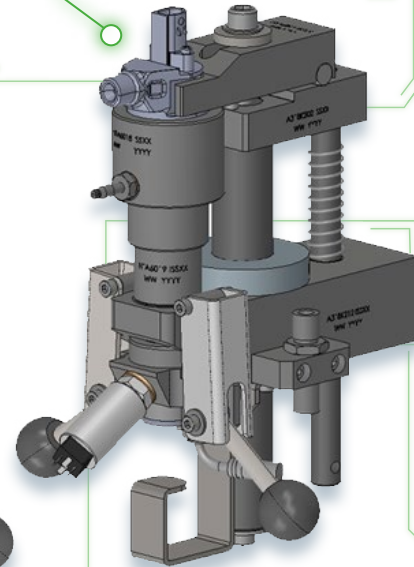


0-2000, 0-2-20 mm, 700000, 0-9999, us,
0-2000 millim, 0-400 mill, 0-1000 us,
1000mm, 400 mm, 1000 us, 1000000 mm.



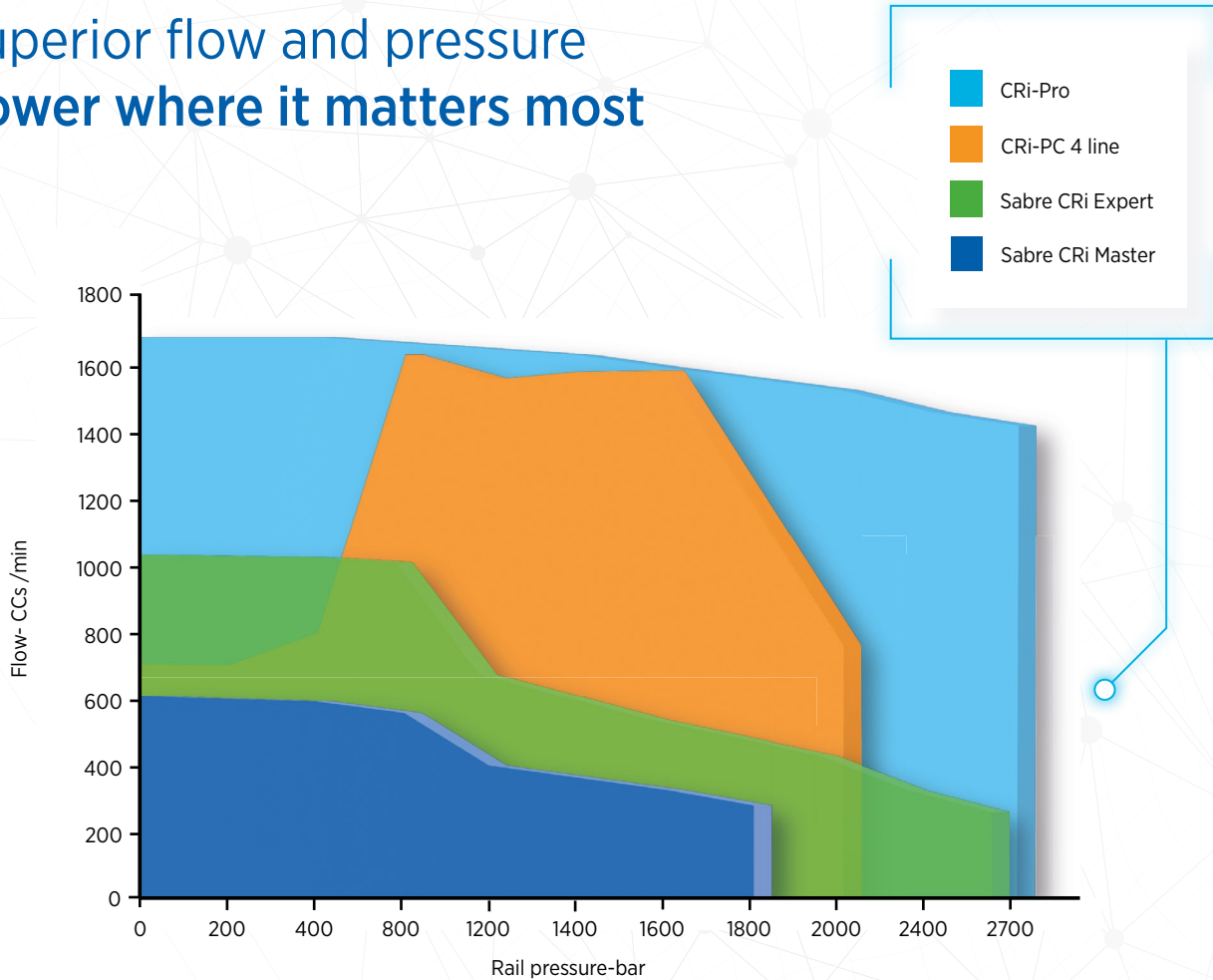
Universal clamping for All-Makes

Simplified clamp load for authorised testing



AT 8011250
1000000 mm

Superior flow and pressure Power where it matters most



The CRI-Pro hydraulic operating envelope shows the CRI-Pro delivering optimum hydraulic performance at all levels of flow and rail pressure to cater to even the most demanding injectors.

Delphi Technologies Pioneering Portfolio

... making vehicles drive **cleaner**, **better**, & **further** right through their lives



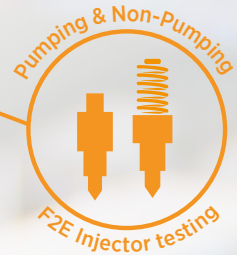
Wide-ranging **product portfolio & training**

Pioneering leadership **OE innovation**

OE-level **diagnostics & technical support**

Technology driven

Explore the CRi-Pro Innovation and engineering excellence



The CRi-Pro has been designed from the ground up with user-friendly operation at the core of the test bench's functionality, from injector installation to final test result report.



All-Makes Mode

The injector tooling method utilises existing All-Makes injector tooling for a vast reduction in accessories.



Authorised Mode

Designed with a simplified method for achieving the clamp load required by OE authorised test plans without the reliance of part number specific clamp blocks.

20-30% Reduction

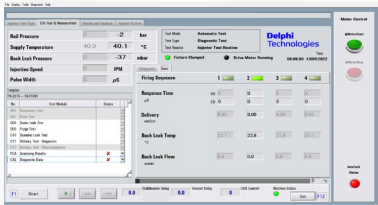


In Cycle Time



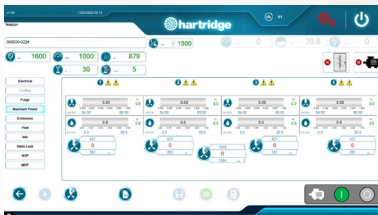
Volume Testing

Reduced cycle time for testing 4 injectors at the same time, compared to testing the same C2i, C3i, and C4i injectors on the CRi-PC.



IRIS Software

Easily change between the all-makes and authorised modes to access the Delphi Technologies IRIS software for Authorised workshops.



Magmah^{Touch} Software

The dynamic display shows the technician one test step at a time and the real-time pass or fail progress of the test.

Automatic Notifications



For Software Updates

Ready for the workshop

Built to enhance productivity

Quick injector installation

Open working area

Space for tools in easy reach



Intuitive touch screen interface

Set-and-forget test plan mode to save time



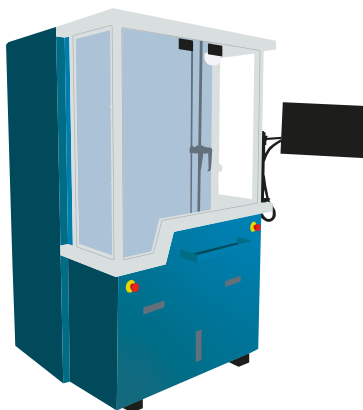
Pioneering product portfolio

Find the right Common Rail solution for you



 The Sabre CRi-Expert

- ✓ All-Makes only
- ✓ Simple installation
- ✓ Single injector testing



 The CRi-Pro

- ✓ All-Makes & authorisation
- ✓ Air cooling as standard
- ✓ Up to 4 injectors at a time



 The AVM2-PC

- ✓ Industry favourite
- ✓ Extra equipment required
- ✓ Injector and pump testing

The Hartridge portfolio has a range of solutions to serve diesel and gasoline technologies, and the CRi-Pro can connect with the Delphi Technologies authorised injector repair program for a holistic Euro 6 solution.

Delphi Technologies

by  **BorgWarner**

Delphi Technologies Aftermarket
Hartridge Ltd, The Borgwarner Building
Network 421, Radclive Road
Buckingham
MK18 4FD
T: +44 (0)1928 825600

hartridge.com
delphiautoparts.com

